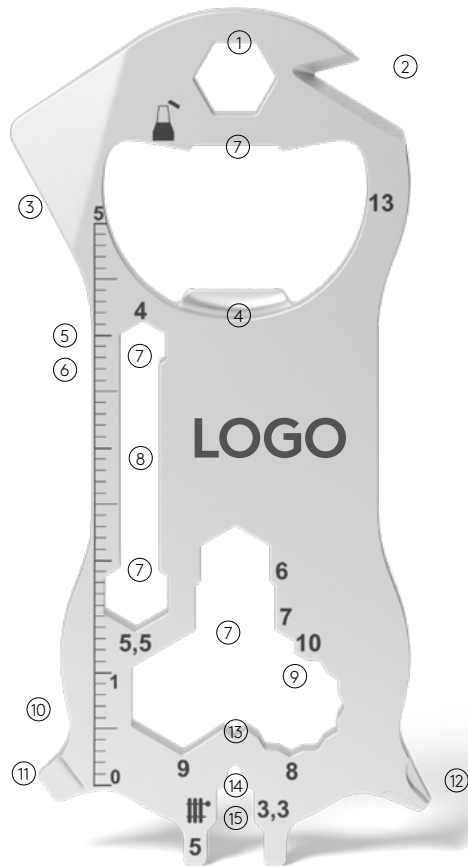


**21** functions

- 1 bit holder
- 2 letter- & box-opener / cable stripper
- 3 paint can opener
- 4 cap lifter
- 5 centimeter ruler
- 6 inch ruler (reverse side)
- 7 hexagonal socket (7)
- 8 key ring slot
- 9 multi-tooth key
- 10 flat-tip screwdriver
- 11 tire tread knife (reverse side)
- 12 phillips screwdriver
- 13 nail drawer
- 14 spoke key
- 15 radiator key



With the most functions among the original RICHARTZ KEY TOOLS®, the excellent KEY TOOL work is ready for any situation. The small, compact multifunctional tool is equipped with 21 useful functions, including a radiator key, bit holder and package opener, and is made of high-quality, matt-finished stainless steel. This makes KEY TOOL work an indispensable companion on your key ring! The integrated special functions will not only please every handyman and do-it-yourselfer!

Awards for RICHARTZ®:



# RICHARTZ KEY TOOL® work

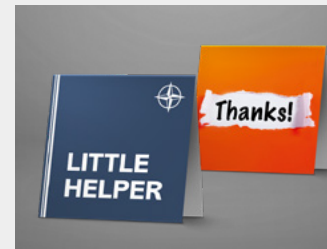
PERFECT FOR USE ...



... as an everyday companion



... as a collection item



... as a campaign supporter



... with standard packaging

## PRODUCT FACTS

- Multitool in cheque card format
- high RICHARTZ® quality
- High quality black-coated stainless steel
- Individual laser engraving **MOQ 100 pieces**
- Individual packaging **MOQ 100 pieces**